

OD ϕ 1.75

ID ϕ .54

Flow orientation indicator

5.34

HEX 1.20

15ft cable

1.10

3/4" NPT

UNLESS OTHERWISE SPECIFIED:
DIMENSIONS ARE IN INCHES
TOLERANCES:
ONE PLACE DECIMAL \pm 0.1
TWO PLACE DECIMAL \pm 0.01
THREE PLACE DECIMAL \pm 0.005

PROPRIETARY AND CONFIDENTIAL
THE INFORMATION CONTAINED IN THIS
DRAWING IS THE SOLE PROPERTY OF
WATER ANALYTICS. ANY REPRODUCTION IN
PART OR AS A WHOLE WITHOUT THE WRITTEN
PERMISSION OF WATER ANALYTICS IS
PROHIBITED.

DEBURR AND
BREAK SHARP
EDGES

DO NOT SCALE DRAWING REVISION REV

WATER ANALYTICS

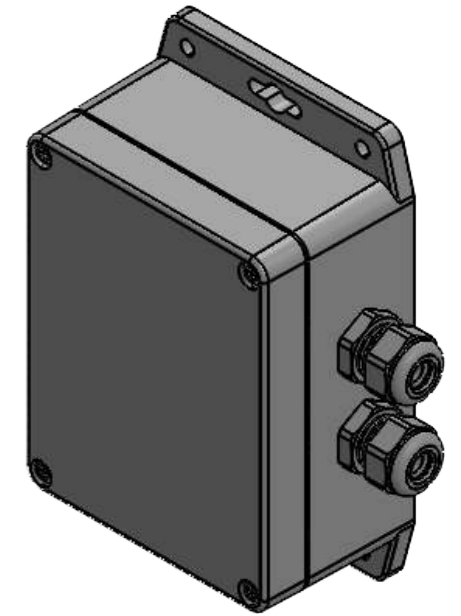
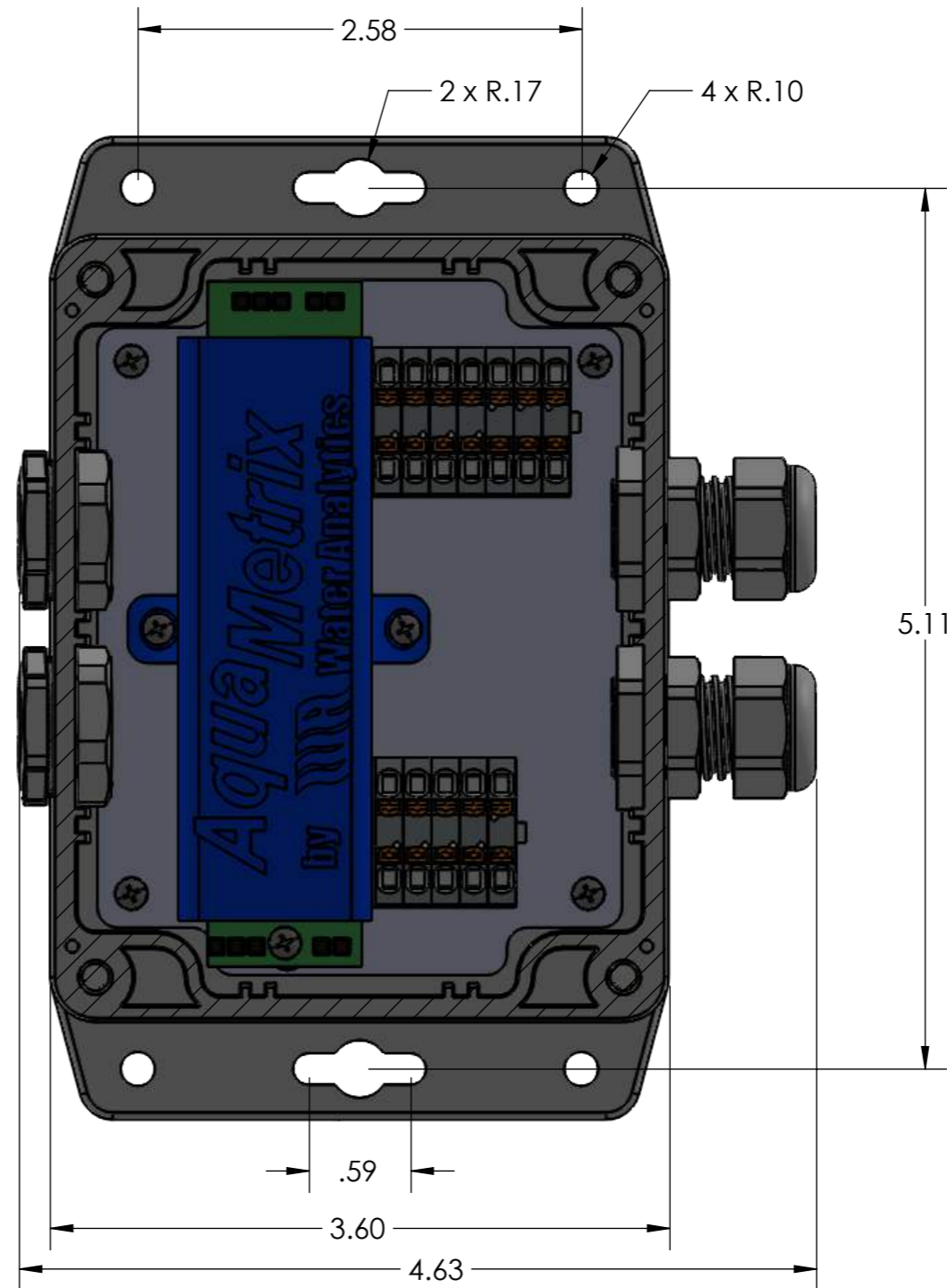
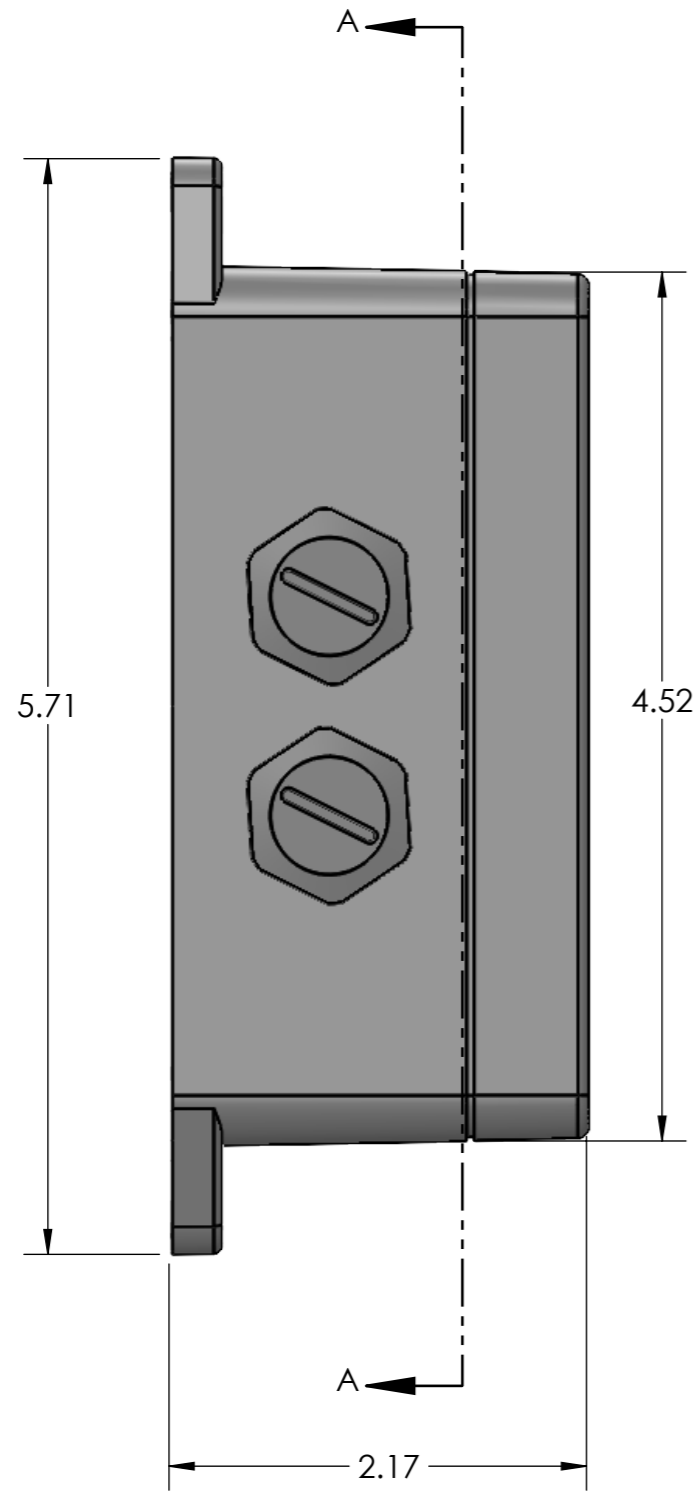
REV	NAME (DWN/EDIT)	ECN #	DATE
0	Andre Morgenstern		4/10/2024



TITLE:	AM-ES-TX AM-ES1	
DWG NO.	N106-312	SIZE A3
SCALE:1	SHEET 1 OF 2	

MATERIAL:

WEIGHT: N/A



SECTION A-A
SCALE 1 : 1

UNLESS OTHERWISE SPECIFIED:
DIMENSIONS ARE IN INCHES
TOLERANCES:
ONE PLACE DECIMAL ± 0.1
TWO PLACE DECIMAL ± 0.01
THREE PLACE DECIMAL ± 0.005

PROPRIETARY AND CONFIDENTIAL
THE INFORMATION CONTAINED IN THIS
DRAWING IS THE SOLE PROPERTY OF
WATER ANALYTICS. ANY REPRODUCTION IN
PART OR AS A WHOLE WITHOUT THE WRITTEN
PERMISSION OF WATER ANALYTICS IS
PROHIBITED.

DEBURR AND
BREAK SHARP
EDGES

DO NOT SCALE DRAWING REVISION REV 0

WATER ANALYTICS

REV	NAME (DWN/EDIT)	ECN #	DATE
0	Andre Morgenstern		4/10/2024



TITLE:	AM-ES-TX AM-ES-BT	
DWG NO.	N106-312	SIZE A3
SCALE: 1:1	SHEET 2 OF 2	

MATERIAL:

WEIGHT: N/A