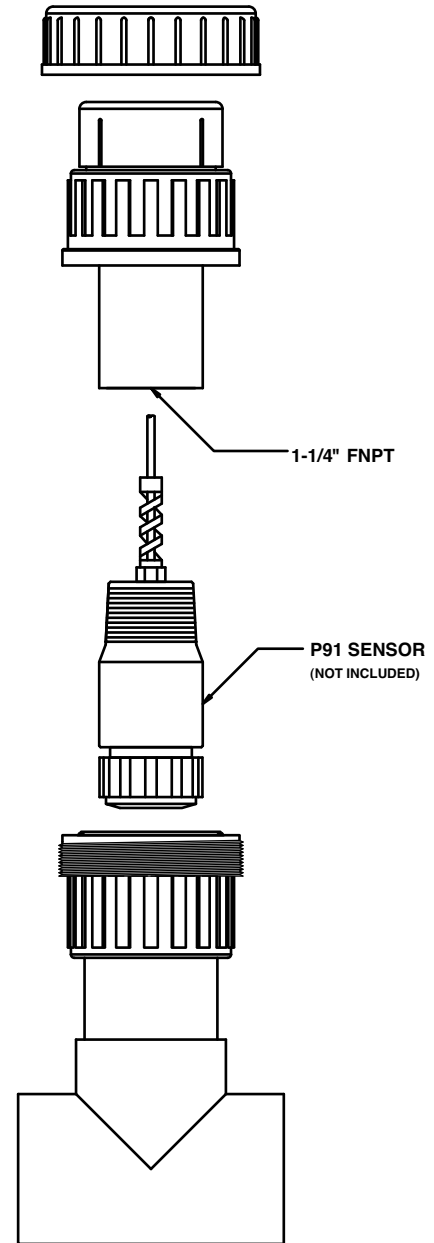
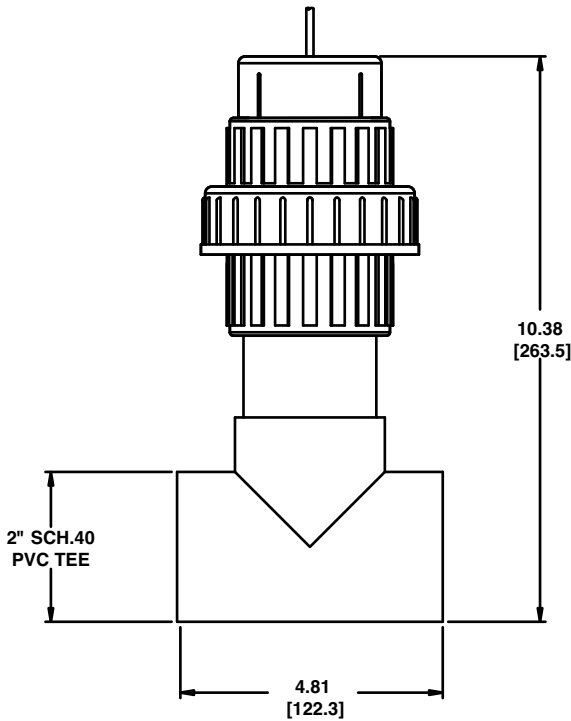




# Model FTA-2 D.O. Flow Through Assembly

**SPECIFICATIONS:**  
WETTED MATERIALS (FTA2 ONLY): PVC, VITON  
PRESSURE LIMIT: 25PSI  
TEMPERATURE LIMIT: 0-40°C



AquaMetrix Inc.  
www.aquametrix.com  
1-800-742-1413



N110-49 R3