



### Features

- Low Maintenance - Reduced cleaning requirements
- Small size enables convenient installation and service.
- O-ring seals used on all versions for high on-stream reliability
- Plastic gland fitting allows removal and replacement without tools
- Automatic Temperature Compensation

### Description

The AM3455 sensors are welded to blind flanges and can be inserted into standard tee fittings in sanitary systems using Ladish or Tri-Clover fittings.

Wetted materials of construction are 316L stainless steel and Teflon, with double redundant EPDM o-rings. The process side o-ring is the only one in contact with the stream, allowing the back o-ring to maintain reliable sealing, free from chemical attack. Temperature compensation elements are potted in the body itself. Leads are 10' standard.

Process connections are Tri-Clamp sanitary flanges of customer specified size. The insertion depth can be modified on request to obtain proper positioning in a specific installation. The sensor is built for clean in-place service, either stream or sterilizing chemicals. All wetted materials are FDA compliant and USP Class VI is available.

### Applications

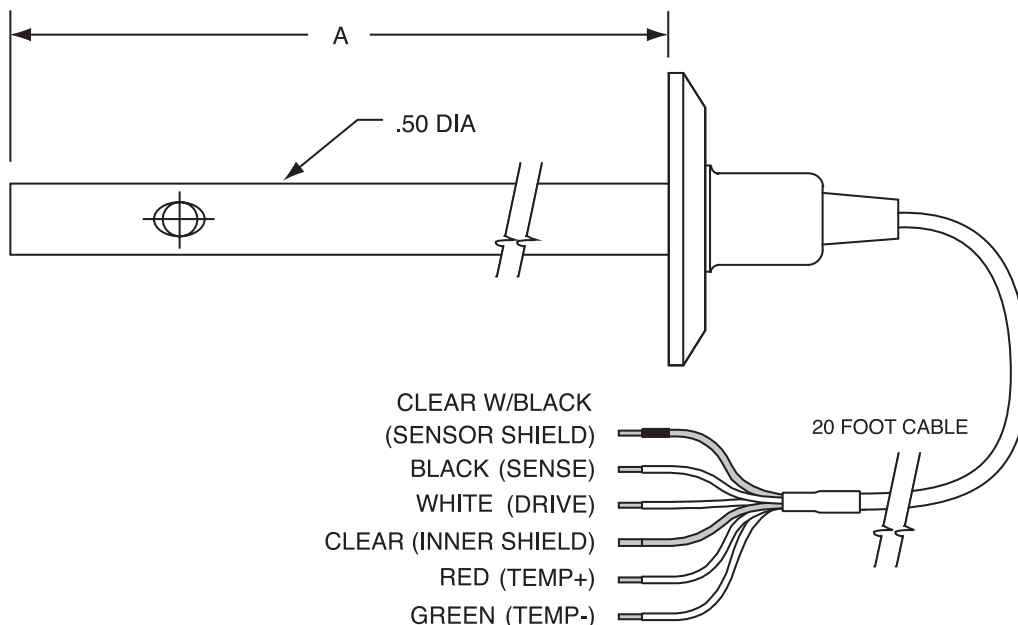
- Dairy
- Food and Beverage
- All sanitary applications
- High purity water applications
- Pharmaceutical Applications
- Reverse Osmosis systems

# Model AM3455 Sanitary Conductivity Sensors

## Technical Data

Wetted Materials	
Insulator	FDA approved DuPont PTFE Teflon™®
O-rings	FDA approved Parker EJ150-75 (3077) EPDM
Electrodes	Electrodes - 316L Stainless Steel
Maximum Pressure / Temperature	100 PSIG at 120°C
Cell Constants	0.01 / 0.05 / 0.1 / 1.0 / 10.0
Connections	
Process Fitting	#16AMP solid end cap by Tri-Clover
Electrical	Stripped and tinned leads
Temperature Compensation	3KΩ NTC Thermistor or Pt1000

## Dimensions & Wiring



Flange Size	A (±0.1)
1.5"	5.25"
2"	5.25"
2" w cell constant 10	9.2"

Lengths are tailored for use with a Tri-Clover #7MP TEE, position sensor horizontally.

## Order Information

### Cell Constant Selection

Constant	Code	Constant	Code
0.01	01	1.0	1
0.05	005	10	10
0.1	01		

## Related Products

MS Series of epoxy body conductivity probes