



Description

The AM-TBR builds on a 35 year old heritage of measuring turbidity in water and wastewater installations around the world. The instrument comes configured with a white light source to meet EPA Method 180.1 or with an infrared source to comply with ISO 7027.

Unlike other incandescent light sources, the Krypton filled bulb provides up to 7 years of lifetime. The IR LED light source also provides 7 years of trouble free service.

Optical windows are isolated from the water stream to eliminate false readings. To eliminate artificially low reading caused by biofouling an optional ultrasonic cleaning mechanism automatically keeps the sample cuvette clean and free of organics.

The AM-TBR was designed to be cost effective to purchase and even more cost effective to maintain. The turbidimeter is modular to make servicing and cleaning quick and easy. The compact sample volume of 30 ml means that you will go through less calibration solution over time. The small sample size also means a faster response time.

Optional Windows software allows the user to graphically display data history, alarms and analyze multiple networked turbidimeters.

The AM-TBR can use our primary calibration fluid instead of unstable and hazardous Formazine.



Features

- Range: 0 to 1000 or 0 to 100 NTU
- Fast and Easy calibration
- Modular construction allows easy cleaning and servicing.
- EPA 180.1—Krypton filled white light with 7 year lamp lifetime
- Alternate infrared light source to meet ISO 7027 with 7 year lifetime
- Small sample volume to minimize calibration standard cost
- Removable sample cuvettes for easy cleaning and calibrating
- Bubble rejection system
- Automatic continuous ultrasonic optical cleaning system
- Optics isolated from sample to reduce the chance of false low readings
- Selectable 4-20 mA or RS 485-Modbus

Applications

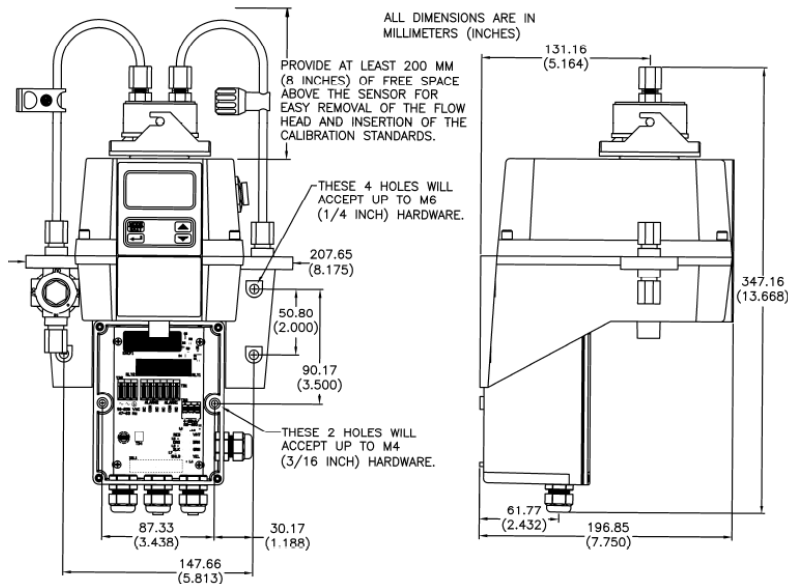
- Municipal Drinking Water
- Municipal Wastewater
- Industrial Wastewater

Model AM-TBR Turbidimeter

Specifications

Range	0 to 1000 NTU or 0 to 100
Measurement Principle	Nephelometry
Light Source	White Light or IR (850 nm LED)
Measurement Principle	Nephelometry
Accuracy	<40 NTU: 2% of reading or ± 0.02 >40 NTU: 5% of reading
Resolution	10^{-3}
Response Time	Adjustable from 5 to 500 seconds
Analog Output	4-20 mA isolated, 600 Ω drive
Digital Output	Bidirectional RS485 / Modbus, Online Interface
Alarms	high/low/system alarms
Operating Temperature	1 to 50 °C (34 to 122 °F)
Input Pressure	1 - 200 psi (regulated at 15 psi)
Flow Rate	0.1 to 1 liter/min (.026 to gal/min)
Wetted Materials	Nylon, borosilicate glass, polypropylene, 316 SS
Power Supply	100-240 VAC, 47-63 Hz, 80 VA
Display	Custom backlit LCD
Enclosure	NEMA 4X, IP 66
Environmental Conditions	Not recommended for outdoor use. Altitude up to 2000 m. Up to 95% RH
Insulation Rating	Double Insulated, Pollution Degree 2, Over-voltage Category II
Certifications	UL 6101B-1, CSA 22.2 No. 1010.1-92, CE, ISO 7027, USEPA
Shipping Weight	2.5 kg (5.5 lbs)

Dimensions



Order Information

Light Source

1	White light source (EPA 180.1)
2	IR source (ISO 7027)

Range

100	0-100 NTU
1000	0-1000 NTU

Options

C	Ultrasonic Cleaning
---	---------------------

Accessories

TCAL-100	Primary Calibration Kit, Low Range (0.02, 10 and 100 NTU)
TCAL-1000	Primary Calibration Kit, Full Range (0.01, 10 and 1000 NTU)