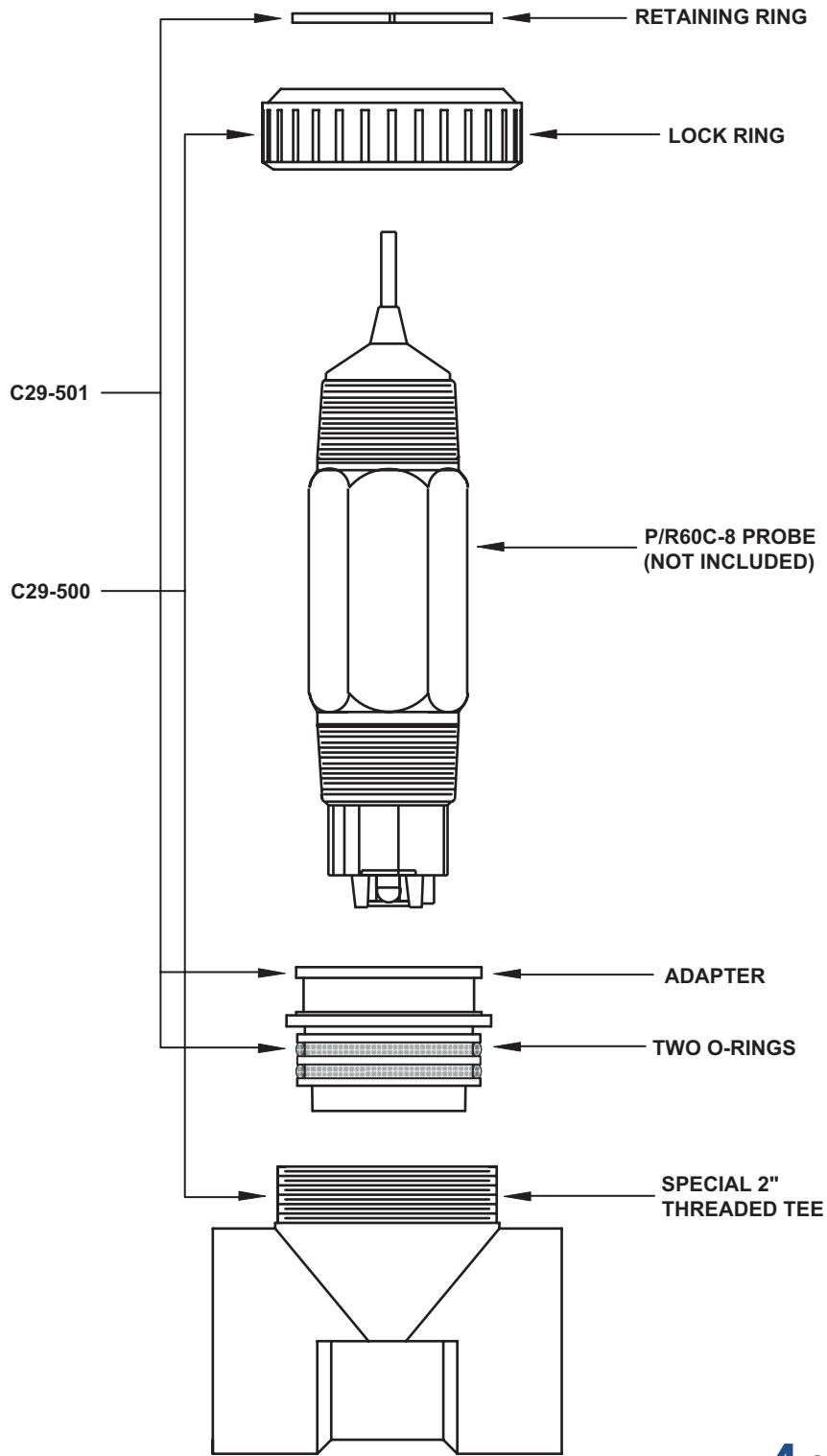


# Aquametrix Model AM-MH538N9A pH/ORP Flow Through Assembly



**AM-MH538N9A Assembly**